

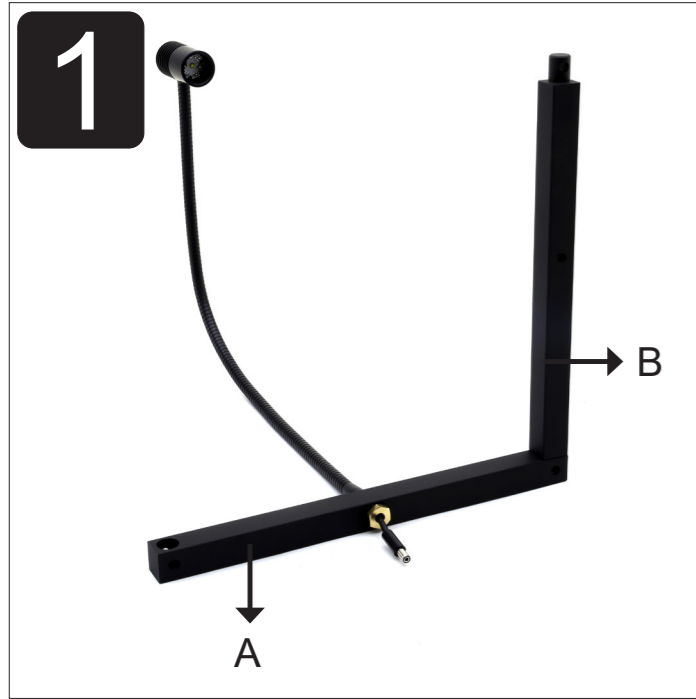
COMPONENTS TO MOUNT RIPPLE TANK

Description

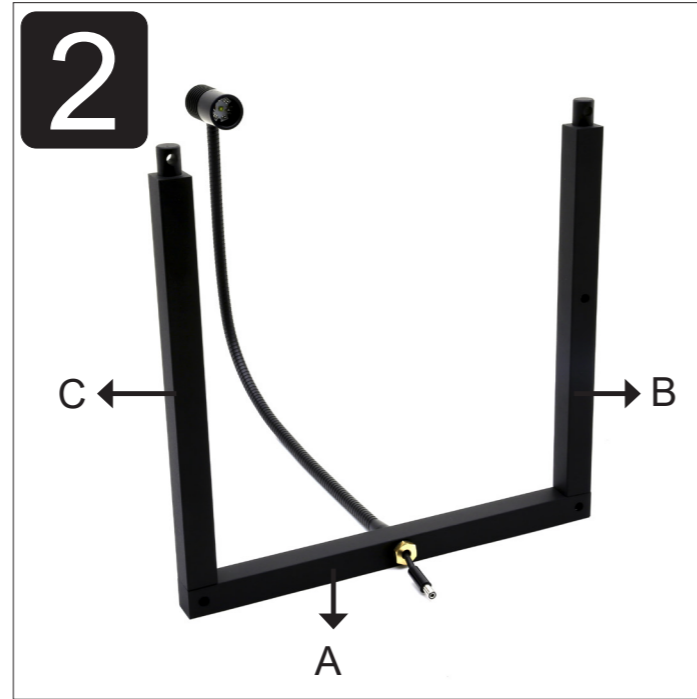


- A metal crossbar with LED
- B metal crossbar with handwheel
- C lateral metal crossbar
- D lock metal crossbar
- E bar with adjustable feet
- F fixing screw
- G allen key
- H screen
- I tank
- L drain pipe
- M mirror
- N vibrator
- O wave generator
- P power supply

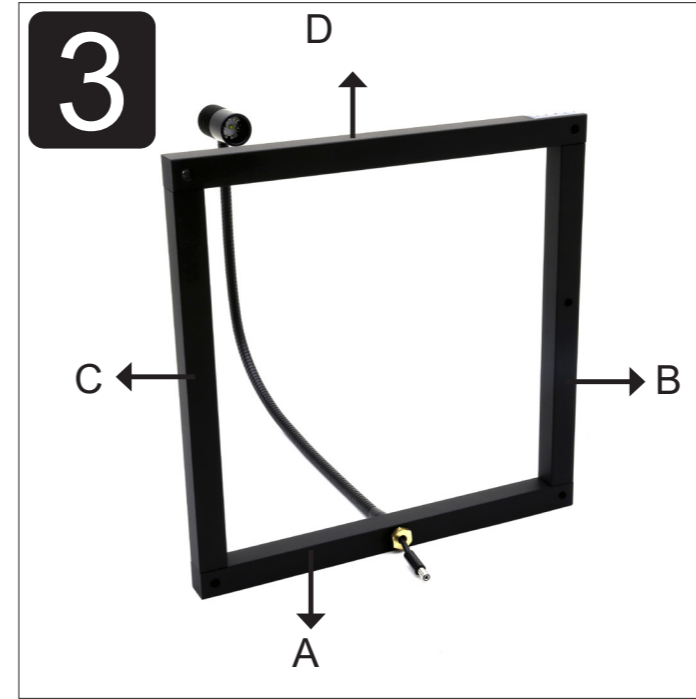
1° Insert crossbar B in A



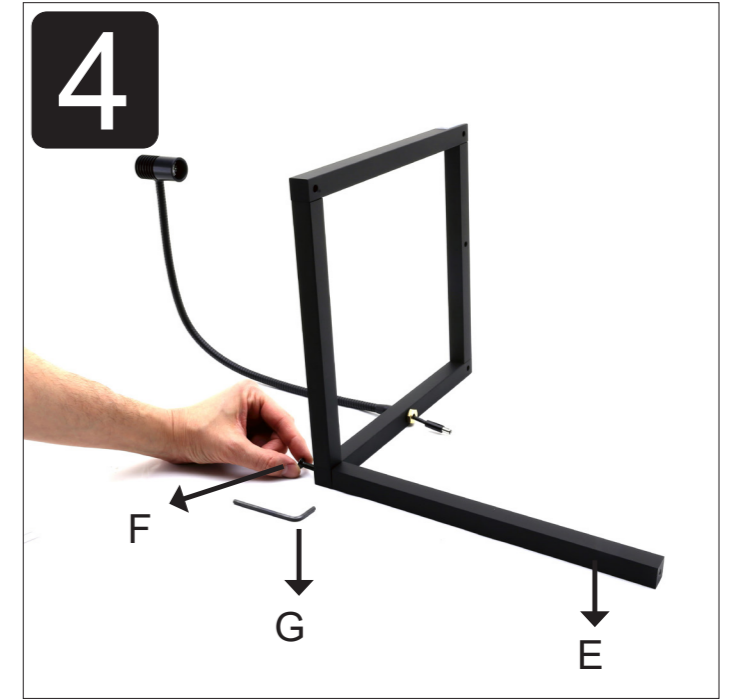
2° Insert crossbar C in A



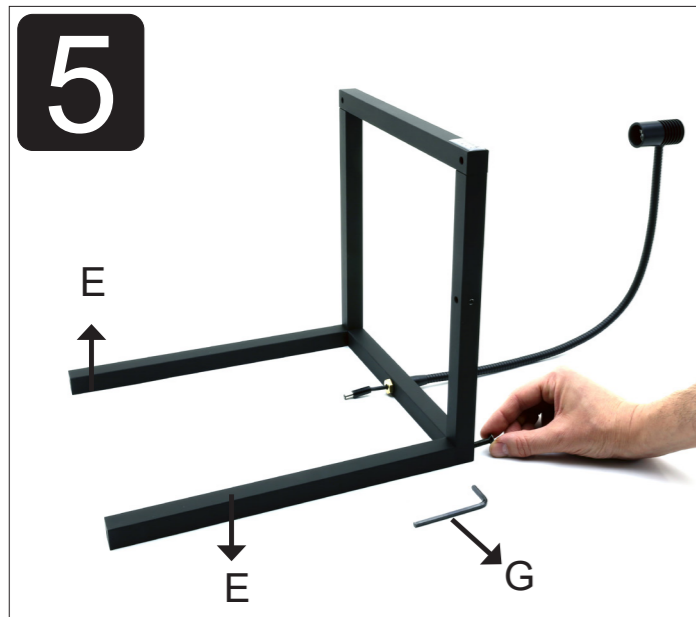
3° Insert crossbar D in B and C



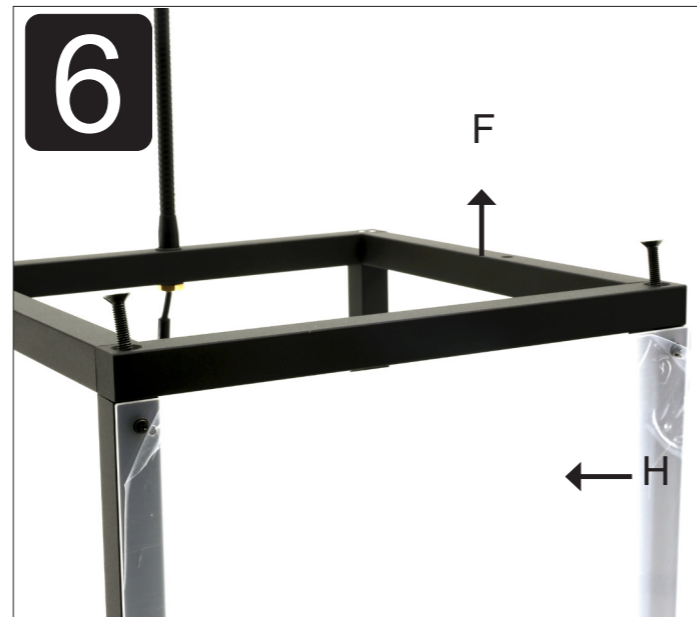
4° Fasten with screw the first bar E



5° Fasten with screw the second bar E



6° Fasten with screws the screen H



7° Fasten with screw the tank I and the drain pipe L



8° Connect the vibrator N and the wave generator O

